

Pagoda



Attractive Architecture in Tents – limitless possibilities, simple and easy to install.

Positive impressions with its unique look, that's what the Losberger Pagoda is all about. It can be used as a single tent as a Party- or VIP tent or in attractive arrangement of several units for exhibitions, sales, or as a showroom. The Losberger Pagoda is always quickly and easily assem-

bled and dismantled due to its unique design and construction. First class materials and industry-leading manufacturing guarantee a very long life span. Another unique feature is the valance which can be attached separately. It can be used for customized designs or to provide corporate advertising through logos and company colours. The Losberger Pagoda: Easy, beautiful – good for your business.



Pagoda

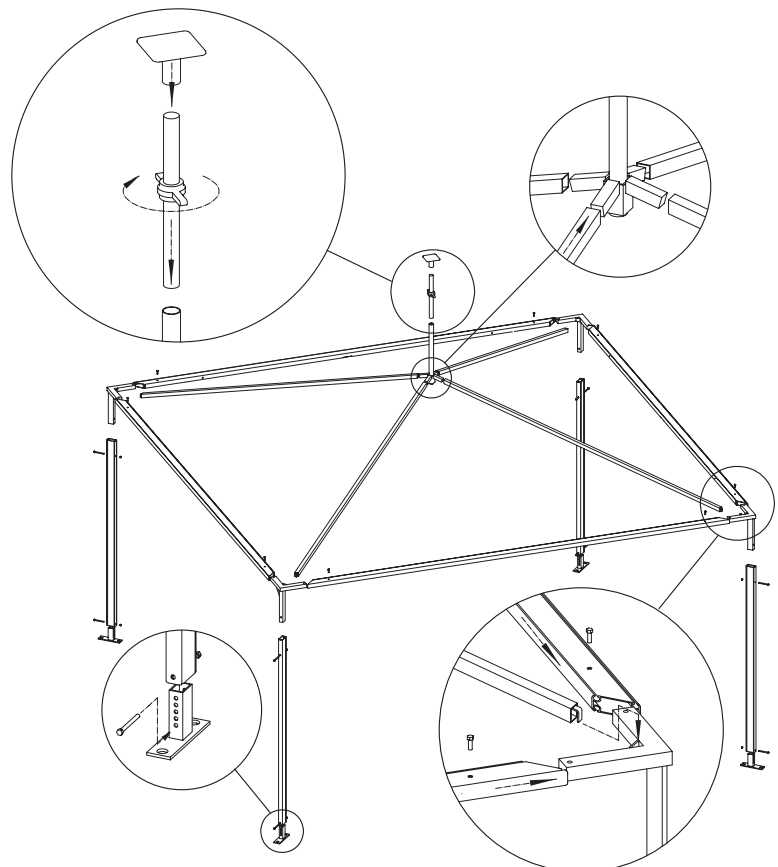
User-friendly, safe operation technology.

- Trouble-free transportation, erection and dismantling, storage and maintenance.
- Erection with or without flooring.

Frame

- Frame made of extruded 4-groove aluminium hollow profiles.
- Hip-beam made of aluminium square tubes.
- All aluminium parts are technically anodized, preventing blackening stains on contact with the covers.
- All steel parts are hot-dip galvanized according to DIN EN ISO 1461.
- Virtually maintenance-free frame.

- Simple installation of the covers from the ground through keder channels.
- Adjustable base plates for compensation of unlevel surfaces.
- Structures may be joined to form larger areas.
- Constructed to provide free access on all sides.





Covers

- Textile covers made of polyester fabric, coated with PVC on both sides, weight approx. 630 g/m².
- Translucent roof covers for daylight conditions inside the tent.
- Roof cover with hemstitch for keder rod technology. The roof cover is fixed through the keder channel and tensioned, using the "spindle-fix" system.
- Flame retardant according to DIN 4102 – B1 and other major international codes.
- Quality zippers: Rapid opening and closing.
- Standard cover colour is white; other colours available on request.
- Separately retractable valance.

Optional accessories

- Aluminium doors, double-wing.
- Light impermeable roof for longer service life and reduction of temperature in the tent.
- Side curtains with windows.
- "ClipTex" wall element (except Type 5.3x5.3/240).
- Covers with individual texts or motifs.
- Cassette flooring.
- Ramps at entrances and exits.
- Lining decoration for roof and walls.
- Packing bags.

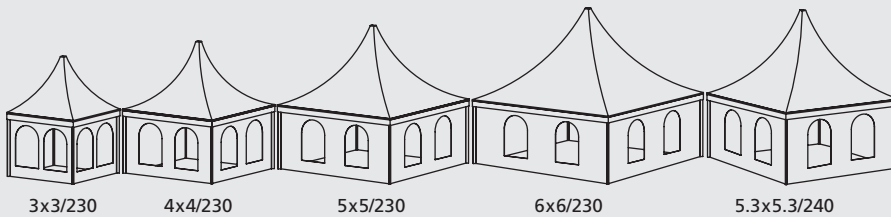




Dimensions

Type	3x3/230	4x4/230	5x5/230	6x6/230	5.3x5.3/240*
Side length (mm)	2,880	3,880	4,880	5,880	5,320
Eave height (mm)	2,300	2,300	2,300	2,300	2,400
Peak height (mm)	3,700	4,200	4,700	5,200	5,000
Surface (m ²)	8.29	15.05	23.81	34.57	28.30
Longest component (mm)	2,795	3,795	4,795	5,795	5,235
Cassette flooring (mm)	2,604x999**	3,604x999**	2,276x999**	2,776x999**	2,431x999

* also in Losberger rental range **compensation elements required



Headoffice Heilbronn
 Losberger GmbH
 Fürfeld · Gottlieb-Daimler-Ring 14
 74906 Bad Rappenau · Germany
 Phone: +49 7066 980-0
 Fax: +49 7066 980232
 E-Mail: losberger@losberger.com
 www.losberger.com

Subsidiaries and Agencies Worldwide.

NOTE: Subject to alterations in the interest of product improvement in line with state-of-the-art technology progress.

LOSBERGER